

General Care:

- The correct use and maintenance of this walker is essential.
- Ensure that both of the child's feet reach the floor.
- Do not use excessive force when adjusting the walker.
- Always store the walker in a dry place.
- Individual toys on the toy tray are not replaceable.
- Do not alter the toy tray by adding toys or cutting existing ones away, this could be dangerous.

Cleaning:

- The seat unit may be spot cleaned by using a sponge with a mild soap and warm water solution. Leave to dry in a ventilated area away from direct sunlight. Do not dry clean, machine wash, bleach or tumble dry.
- Metal parts may be cleaned with a damp cloth. Always wipe dry.
- Clean plastic parts with a mild soap and warm water solution.
- Avoid leaving the walker in direct sunlight for prolonged periods of time as this may cause fabrics to fade.

Maintenance:

- Check that nothing is loose or broken and that no sharp edges have been exposed. Replace any damaged parts immediately.
- Inspect all studs, nuts and screws for tightness. Check the seat attachment points, ensure they are secured.
- Do not use replacement parts other than those approved by the manufacturer or distributor. Failure to do this may invalidate your warranty.

Safety Warnings:

WARNING - Never leave the child unattended.

WARNING - The child will be able to reach further and move rapidly when in the baby walking frame.

WARNING - Your child's safety is your responsibility.

- Prevent access to stairs, steps and uneven surfaces.
- Guard all fires, heating and cooking appliances.
- Remove hot liquids, electrical flexes and other hazards from reach.
- Prevent collisions with glass in doors, windows and furniture.
- Do not use the baby walking frame if any components are broken or missing.
- This baby walking frame should be used only for short periods of time (e.g. 20 min).

This product complies with:
BS EN 1273 : 2005

Customer Care:
enquiries@kiddicare.com

Imported by:
The Red Kite Baby Co Ltd
6 Waverley Road
Beeches Industrial Estate
Yate
Bristol
BS37 5QT
UK

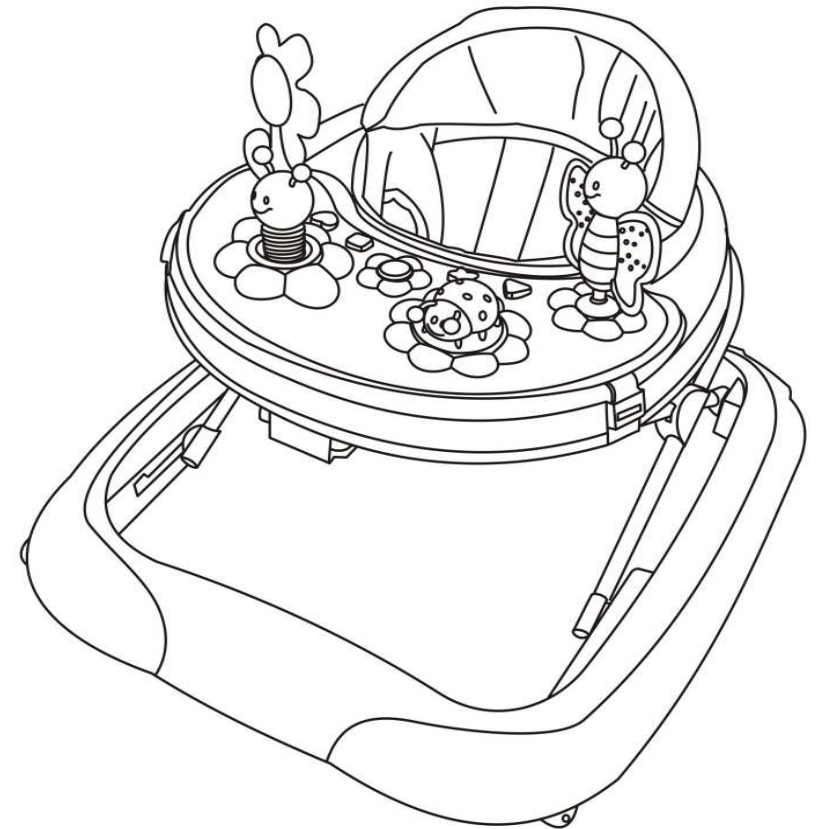


IMPORTANT

Read the instructions carefully before use and keep them for future reference. The child may be hurt if you do not follow the instructions.

Instruction Leaflet

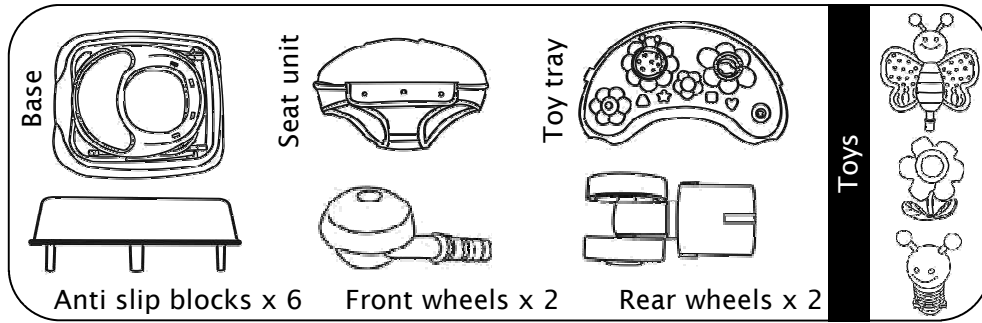
Babyweavers Go Walker Bugs



Customer Care: enquiries@kiddicare.com
Complies With: BS EN 1273 : 2005

This baby walking frame is intended to be used by children who can sit unaided, approximately from 6 months. It is not intended for children weighing more than 12kg.

Parts list



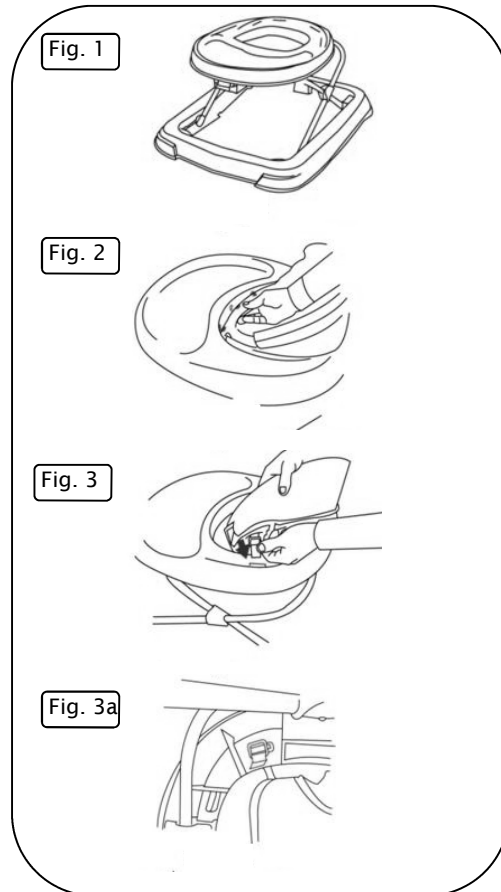
Assembly instructions

1. Open the walker to its middle position by raising the tray. **Fig 1.**

2. To attach the front of the seat, insert the pins on the front of the seat into the holes and then push downwards until they click into position. **Fig 2.**

3. To attach the rear of the seat, thread the straps with the buckles through the corresponding slots on the tray recess. Now from the underside, pull the straps completely through and pivot the buckle to lie flat against the underside of the tray. **Fig 3 & 3a.**

IMPORTANT! Please refer to the “Additional Safety Checks” leaflet supplied before using the walker for the first time.



4. Place the walker on a solid flat surface with the bottom facing upwards. Insert the pins of the front wheels into their housings until they click into position. **Fig 4.**

5. With the walker still upside down, insert the friction blocks into the receiving holes on the base. Ensure they are secured properly before first use. **Fig 5.**

Height adjustment.

6. Remove the baby from the walker. Turn the safety button lengthwise and press the button until the mechanism is released. With the button still pressed in, select new height. Three different height positions are available. **Fig 6.**

7. When the new position has been selected, release the button and check it has turned 90 degrees back to its original position. **Fig 7.**

NOTE This product (including toy tray attachment) must be assembled by an adult.

