

**The BabyDen
The ConfigureGate
The HearthGate**

BabyDan[®]
eyes for safety...



Index

General information

- Warnings 4
- Care of your product 4
- Parts check list 5
- Overview of basic gates 18

The BabyDen

- Unfolding and setting up the BabyDen 6-7
- Accessories (available separately) 7
- Fitting the base 8
- Opening and closing the walk through door section 9

The HearthGate

- Measuring the area around the fireplace/hearth 10
- Unfolding and setting up the HearthGate 12
- Fitting the wallfitting 13-15
- Opening and closing the walk through door section 9

The Configure-Gate

- Measuring the area to protect or isolate 11
- Unfolding and setting up the ConfigureGate 12
- Fitting the wall fittings 13-15
- Opening and closing the walk through door section 9

Extra functions

- Adding optional sections 16
- Removing sections 17
- Fitting hinge caps/cones/covers 17

Important Notes

IMPORTANT. KEEP INSTRUCTIONS FOR FUTURE REFERENCE

Before attempting to unfold the BabyDen /HearthGate/ConfigureGate, read the instructions thoroughly. Failure to do so may result in damage to the gate and risk to your child.

Please note that this User Guide applies to all three products. Consequently, equipment and illustrations may not correspond to your product.

Please make sure that your product is not damaged. Your supplier must be advised about transport damages, if any, before you start using the product.

When fitted as instructed, this product complies the following standards:

ASTM F 1004-98

EN 12227:2000

EN 1930:2000


















Warnings

- Intended for use with children from 6 months through 24 months.
 - When used as a safety gate (HearthGate /ConfigureGate), never use without wall fittings.
 - When used as a HearthGate, always place the gate minimum 70 cm (27.5") away from the source of heat/fire and minimum 90 cm (35.4") from open fire.
 - Since every fireplace/wood burning stove reaches different temperatures, the above placing is only intended as a guide line. Test your own unit at maximum heat output before placing the gate. If the gate is hot to touch, move gate further from heat source than the recommended minimum distance.
 - Check and tighten mountings regularly
 - Never allow child to climb or swing on gate.
 - Do not use if any part of gate is broken or missing.
 - When folded, store away from children.
 - This product will not necessarily prevent all accidents.
- **Never leave child unattended.**
 - Use only approved spare parts from Baby Dan.
 - Use only with locking mechanism securely engaged.
 - Install according to manufacturer's instructions.
 - When used as a fire surround, this product is not a fire guard. It is intended to keep children away from the area surrounding the fireplace.
 - Do not leave anything in the BabyDen which could provide a foothold or create a danger of suffocation or strangulation.
 - When used as a BabyDen be aware of the risk of open fire and other sources of strong heat, such as electric bar fires, gas fires, etc. in the near vicinity of the BabyDen.
 - When used as a BabyDen, never use without the base.
 - **WARNING:** The gate sections must not be fitted across windows and similar openings.

Care of Your Product

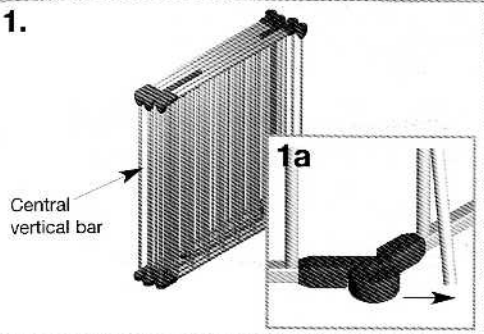
- No part of the BabyDen/HearthGate /ConfigureGate requires lubrication.
- Clean sections and plastic parts using warm soapy water, or a damp cloth.
- Do not use abrasive cleaners or bleach
- Textile base washable at max. 40°C.
- As surplus colour might occur please wash before use.
- Textile base **MUST NEVER BE PUT IN THE TUMBLE DRYER!**
- If using outdoors, and to help prevent rust, treat all exposed metal on the gate with a rust inhibitor. Some rusting may still occur.

Parts Check List

	Qty.	Description	HearthGate incl. wall fittings	ConfigureGate 'incl. wall fittings	BabyDen incl. base & wall fittings
	1	60 cm (24") Extension Available separately			
	1	ConfigureGate consisting of 3 sections		●	
	1	HearthGate consisting of 5 sections	●		
	1	BabyDen consisting of 6 sections			●
	1	Textile base			●
	2	Wall covers (A)	●	●	●
	2	Lock fittings (B)	●	●	●
	2	Wall plates (C)	●	●	●
	6	Wood screws (D)	●	●	●
	6	Wall cover screws (E)	●	●	●
	6	Wall cover nuts (F)	●	●	●
	2	Hinge caps with groove (G)	●	●	●
	2	Hinge covers plain (H)	●	●	●
	2	Hinge cones (I)	●	●	●
	2	Removable, vertical bar (J)	●	●	●

Unfolding and Setting up the BabyDen

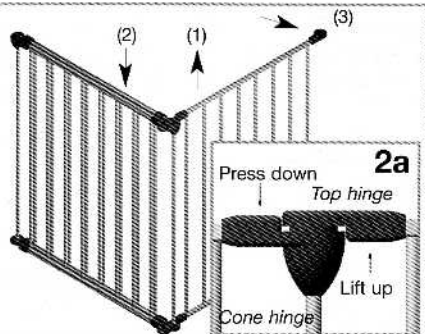
1.



Unpack your folded BabyDen on a stable surface making sure the handle is on the top side.

Separate the BabyDen into two parts by lifting up on the centre removable, vertical bar (see ill. 1) while sliding it sideways out of the lower hinge (1a).

2.



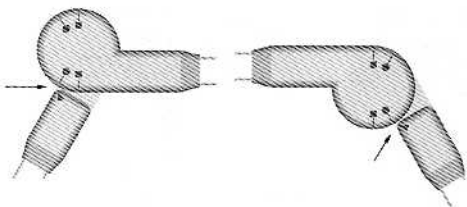
Unfold the sections:

Lift up (1) on the section with top hinges while pressing down (2) on the connected section (2).

It is easiest to lift up and turn the sections if you lift and press as close to the hinges as possible (see ill. 2).

Turn around the section (3).

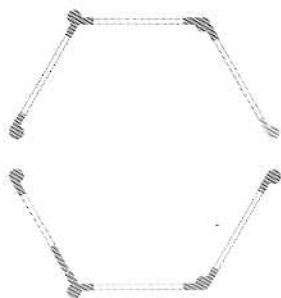
3.




The top hinges have markings intended for setting up as a BabyDen.

In order to set up the BabyDen in a square or a hexagon, turn around the sections, and release when the arrow on the hinge is in line with the marking on the top hinge.

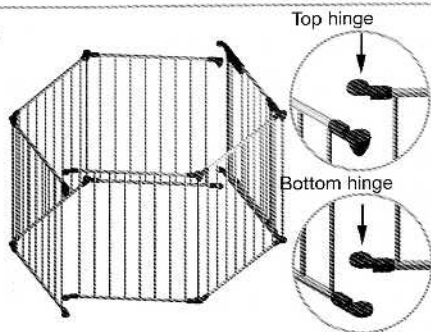
4.



Fold out both parts so that the sections form a hexagon - follow the markings: 

Unfolding and Setting up the BabyDen

5.

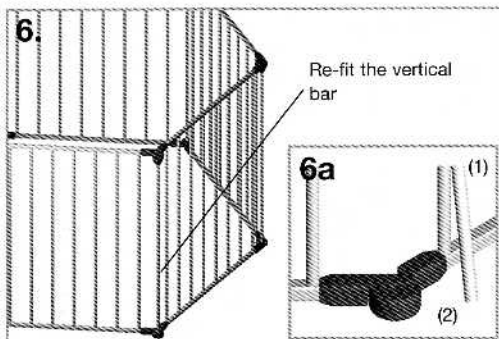


The removable, vertical bar has been fitted in the end section by the manufacturer (see "overview of basic gates" page 18).

Lift up the vertical bar and remove it.

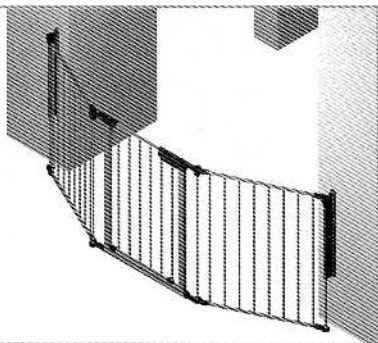
Align the ends of the two parts and make sure that the hinges drop together both on top and bottom (see the extracts pictures of ill. 5).

6.



Connect the two parts by pushing the vertical bars (1) up into the top hinge and let them slide into the groove of the lower hinge (2).

7.



Wall mounting equipment is included with the BabyDen.

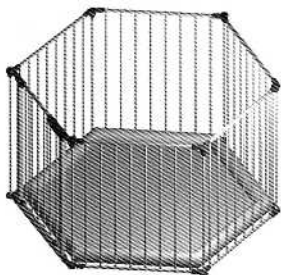
Should you wish to use the BabyDen as a safety gate, follow the instructions of the ConfigureGate and HearthGate (see index page 3).

Note:

Should you want to attach all 6 sections of the BabyDen to the wall, you will have to use the enclosed loose vertical bar (J).

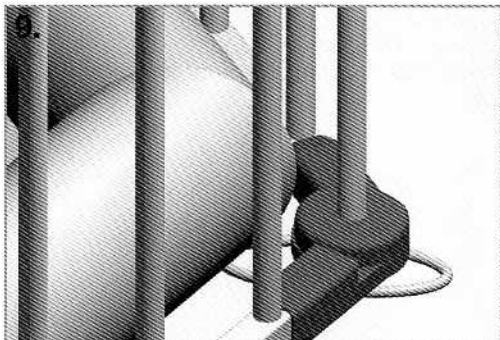
Fitting the Base

8.



Place the textile base in the BabyDen with the nylon facing down.

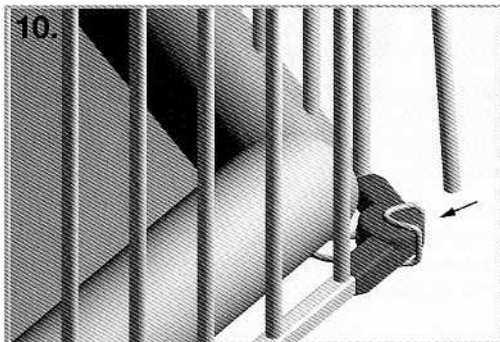
9.



Start by fitting the base to the three corners with hinges as shown in ill. 9.

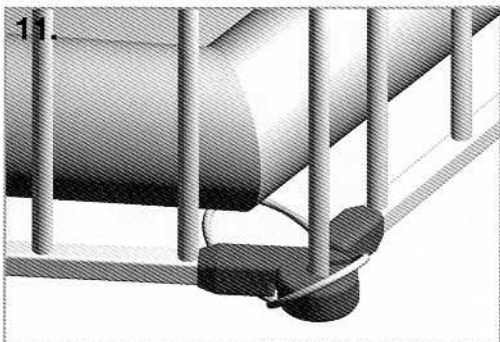
Pass the elastic of the base underneath the BabyDen.

10.



Slide the removable, vertical bar out of the hinge. Hold the elastic as shown (see ill. 10), while sliding the bar back in place.

11.

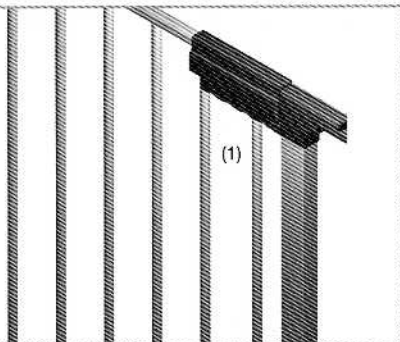


Hereafter fit the last three corners of the base by pulling the elastic underneath the BabyDen and up around the hinge (see ill. 11).

Tie the ribbons around the horizontal, square tubes of the metal sections - not around the bars .

Opening and Closing the Walk Through Door Section

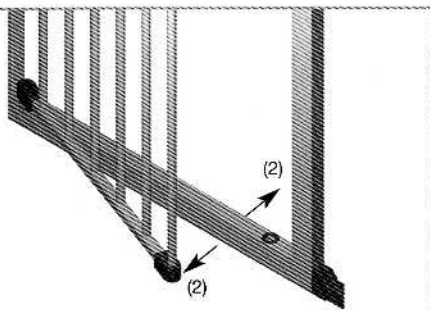
12.



Opening of walk through door section

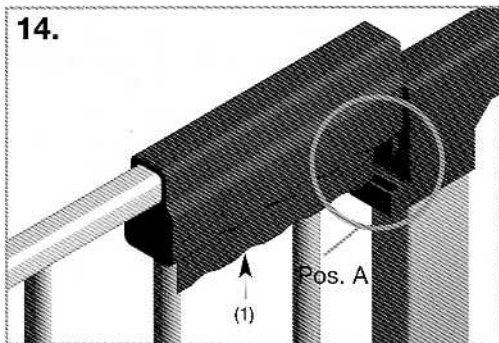
Squeeze the handle as far as possible (1).

13.



The door may easily be opened in either direction (2).

14.

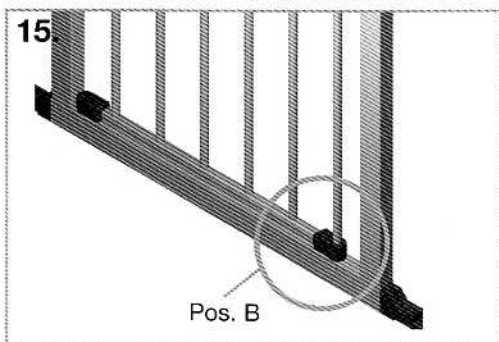


Closing the walk through door section

Squeeze the handle as far as possible (1) and align the bottom of door with gate frame.

Release handle, and door should lock.

15.

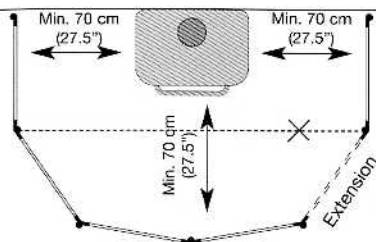


The walk through door section will be properly locked when the handle hook falls down into the hole of the opposite hinge (see pos. A), and the locking bar and the hole of the bottom frame have engaged (see pos. B of ill. 15).

Test to ensure both locks are engaged.

Measuring the Area Around the Fireplace/Hearth

16.



Measuring around fireplace/hearth.
The distance from the gate sections to the fireplace/hearth must be minimum 70 cm (27.5").

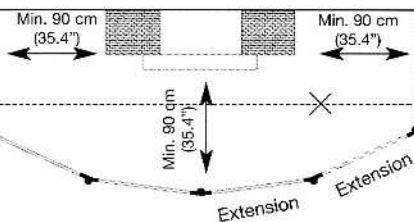
- ✗ The gate must never be set up in a straight line.

Should it not be possible to keep the recommended distances, separate sections are available at your supplier.

The distance from the gate sections to open fire must be minimum 90 cm (35.4").

- ✗ The gate must never be set up in a straight line.

17.

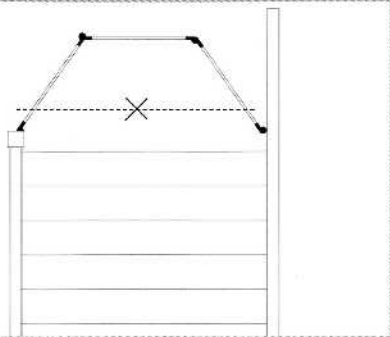


Important

- The mentioned minimum distances to fireplace/hearth are only recommended distances since every fireplace/wood burning stove reaches different temperatures. Test your unit at maximum heat output before final placing of the gate.
- Place the gate according to the instructions at maximum heat output. If gate is too hot to touch, move gate further from heat source than recommended.

Measuring the Area to Protect/Isolate

18.



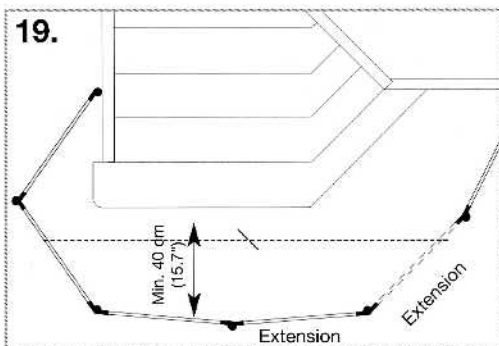
Setting up on top of stairs

If the ConfigureGate is placed on top of stairs, please note the following:

- The gate must be set up in a curve away from the stairs (see ill. 18).
- The gate must never be set up in a straight line.
- There must be a minimum distance of 40 cm (15.7") from gate to stairs.

Should it not be possible to keep the recommended distances, separate sections are available at your supplier.

19.

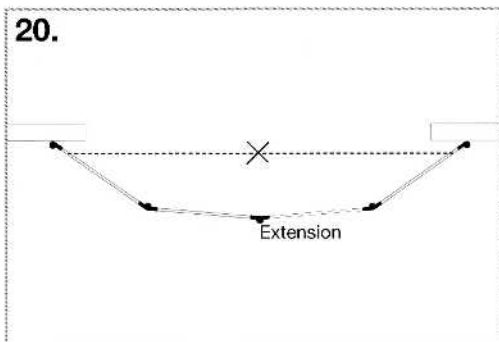


Setting up on bottom of stairs

If the ConfigureGate is placed on bottom of stairs, please note the following:

- The gate must be set up in a bow away from the stairs (see ill. 19).
- The gate must be placed as far away from the stairs that the child will not be able to reach the bottom stair and crawl over the gate. The distance to the bottom stair must be minimum 40 cm (15.7").

20.

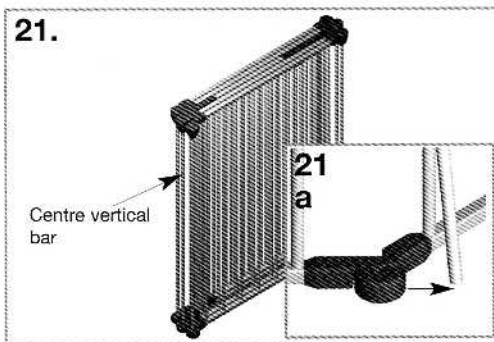


In general

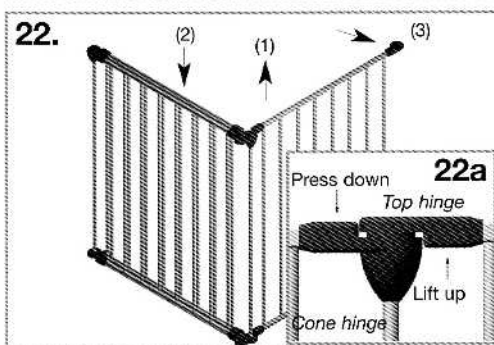
Please note that the child is able to reach through the bars - therefore place the gate far away from things.

- ✗ The gate must never be set up in a straight line.

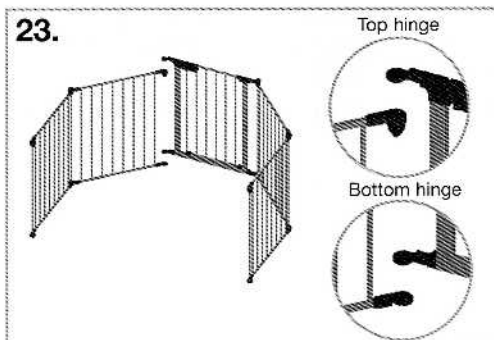
Setting up the HearthGate • and ConfigureGate ■



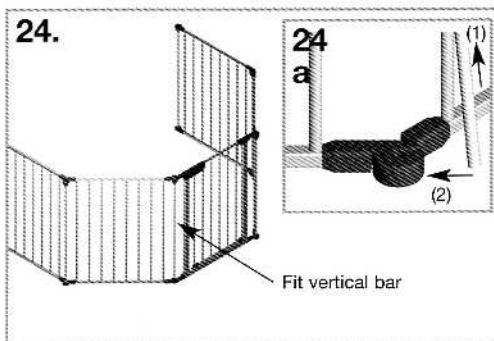
- Place the folded gate on a stable surface with the handle facing up.
- Separate the HearthGate in two parts by pulling up in the centre removable, vertical bar (see ill. 21) and let it slide out of the groove of the bottom hinge (ill. 21a).



- Unfold the sections:
- At the corner, lift up slightly on the section with hinge teeth facing down (1) while gently pressing down on the connected section (2).
- Rotate the section (3).



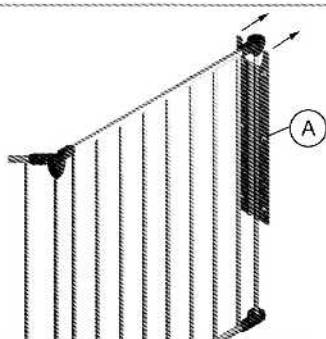
- Unfold the gate to the desired shape.
- Unfold both parts and align the end section with cone hinge underneath the end section with top hinge (ill. 23) - be sure that the hinges engage both on top and on bottom (see circle drawings of ill. 23).



- Connect the two parts by pushing the removable, vertical bar up into the upper hinge (1) and let it slide into the groove (2).
- If adding sections - go to page 16.
- If gate is too long - go to page 17.
- If making no changes - continue with fitting the wall fittings on next page.

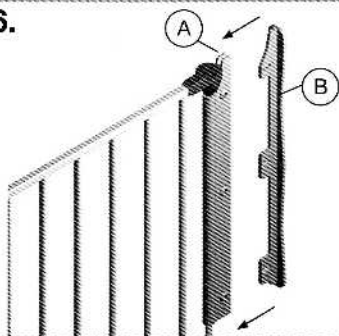
Fitting the Wall Fittings

25.



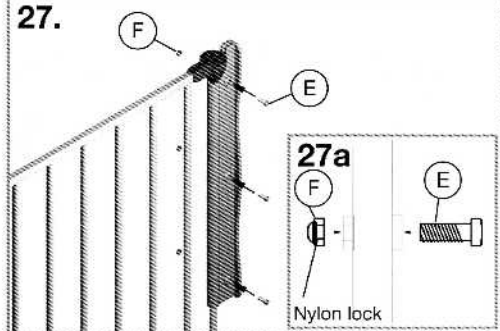
Fold the wall cover (A) around the vertical bar in the end of the gate.

26.



Insert lock fitting (B) so that the holes in both parts align.

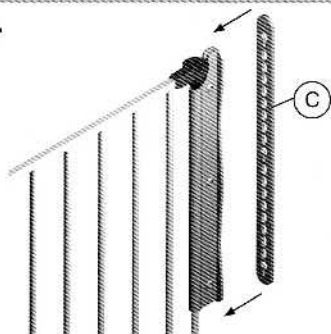
27.



Loosely screw the enclosed wall cover screws (E) and nuts (F) in the three holes - **but do not fasten.**

The nylon lock of the nut must face outwards (see ill. 27a).

28.



Attach the wall plate (C) to the lock fitting (B) following steps 29 A, B and C on the next page.

