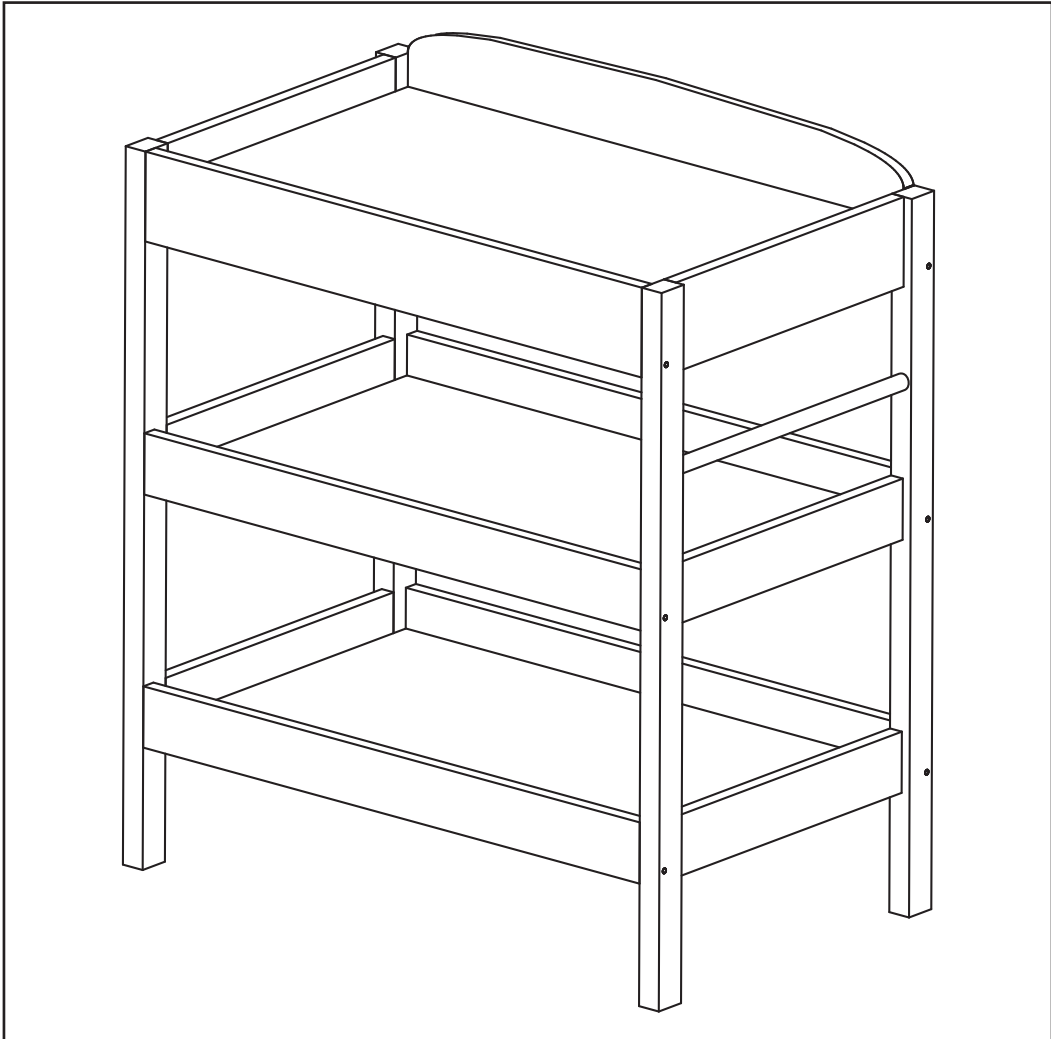
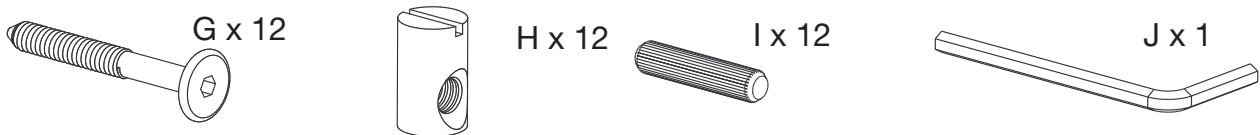
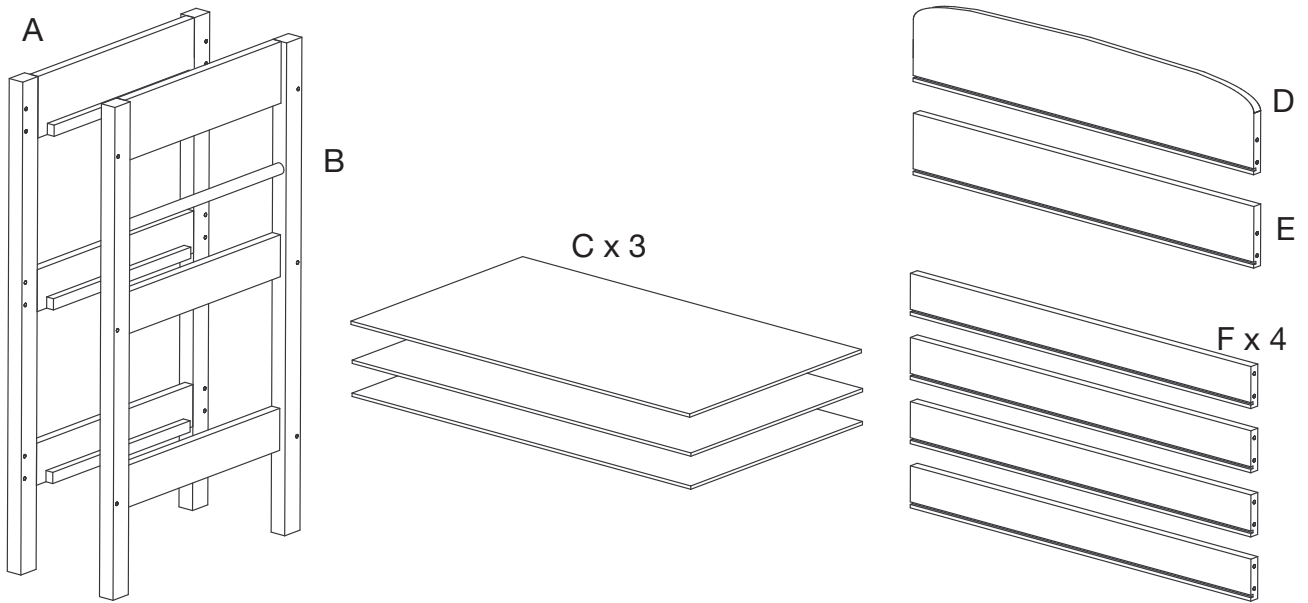


# CLARA DRESSER



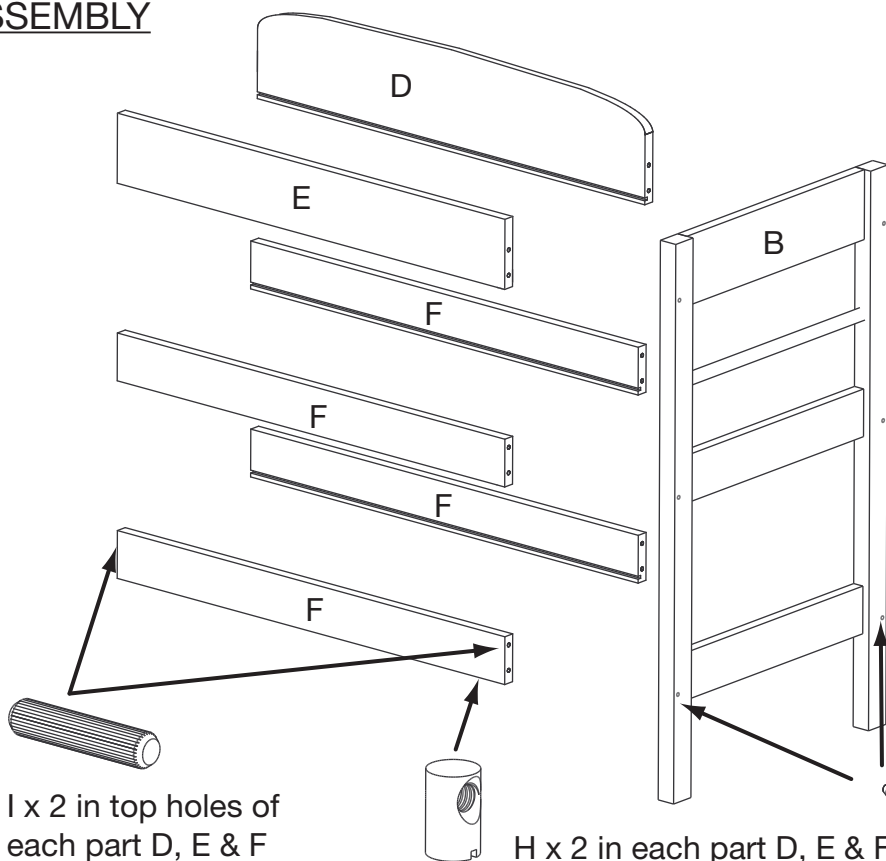
# IMPORTANT RETAIN FOR FUTURE REFERENCE. READ CAREFULLY

The help of an assistant will aid assembly



PLEASE DISPOSE OF PACKAGING MATERIAL.  
PLASTIC BAGS CAN BE DANGEROUS TO YOUNG CHILDREN

## ASSEMBLY



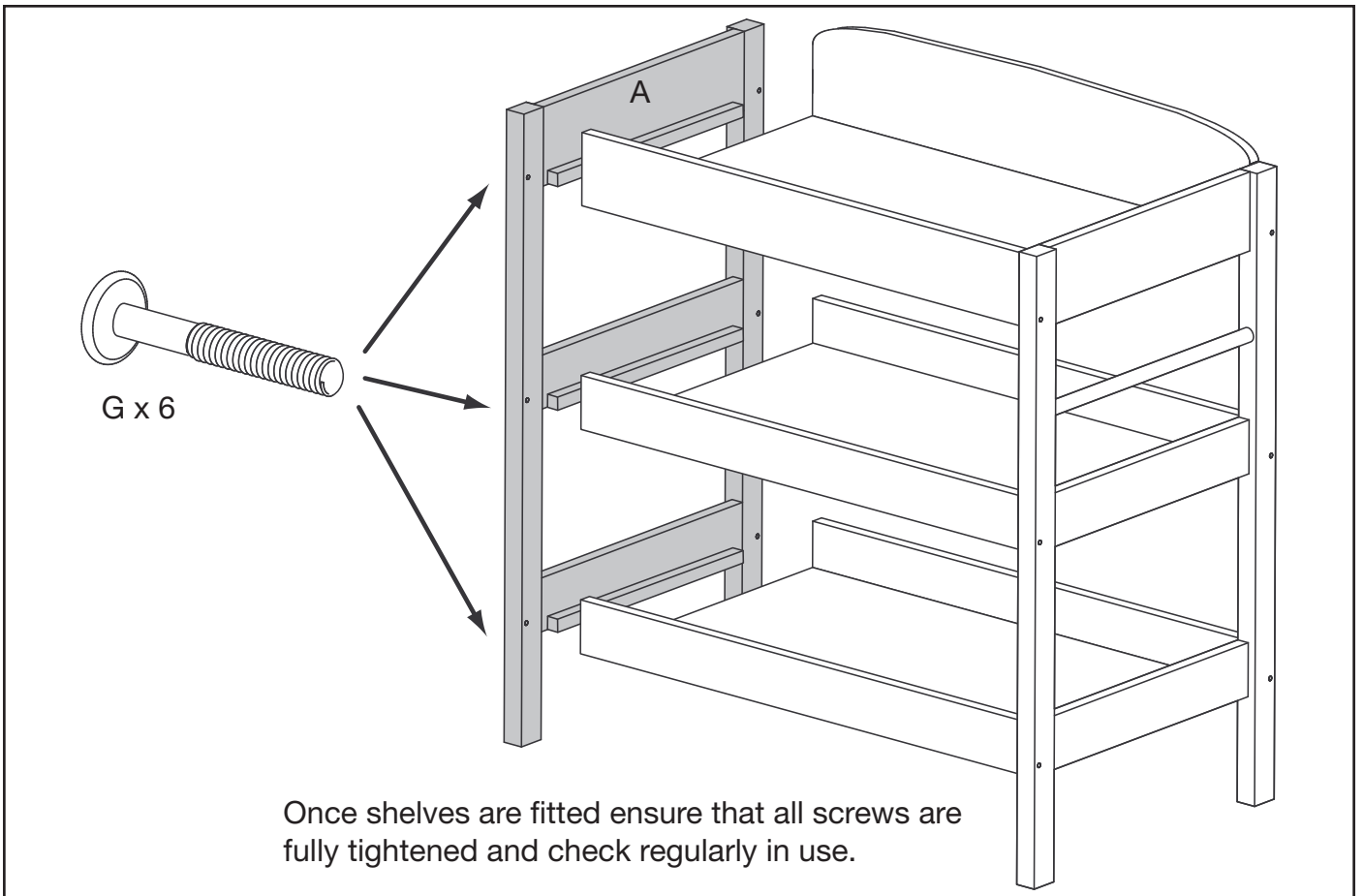
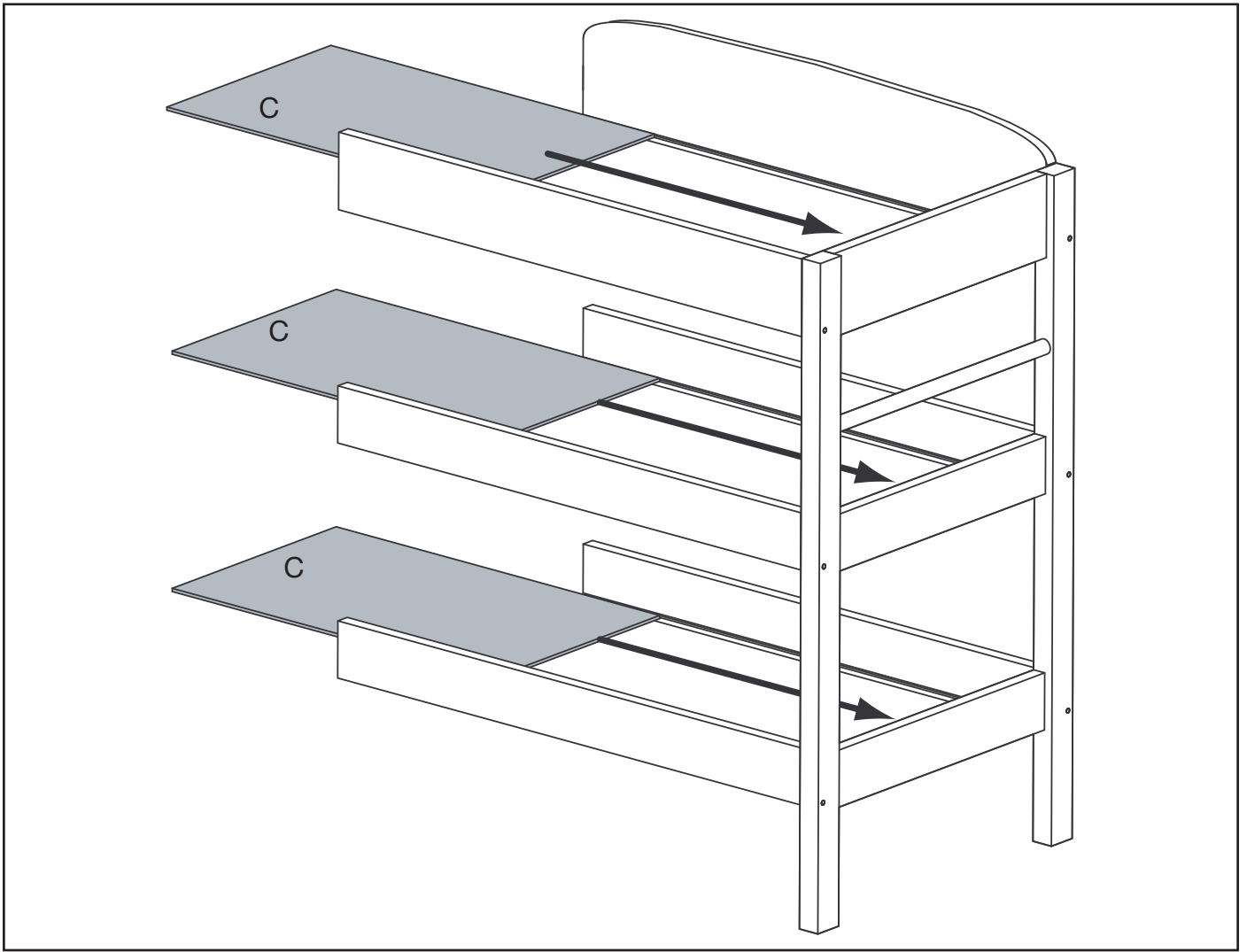
The dowel nuts (parts H) fit into the holes in the undersides of parts D, E and F. The slot on one end of the nut indicates the direction of the threaded hole and should be visible when the nut is inserted. It is advisable to push each nut into its hole and check for correct alignment before inserting any screws.

NOTE: Do Not fully tighten screws at this stage

I x 2 in top holes of each part D, E & F

H x 2 in each part D, E & F

G x 6



Once shelves are fitted ensure that all screws are fully tightened and check regularly in use.

## Care and cleaning

Your furniture may be cleaned by wiping with a damp cloth and drying with a soft clean cloth.

Do not use abrasives, bleach, alcohol or ammonia-based household polishes.

The wooden parts of the changer can also be polished with a light wax to help maintain their appearance.

Take care when handling or moving the furniture. Careless handling may cause damage.

Regularly check that all fixings are tightened and that there are no broken or damaged parts.

## YOUR CHILDREN'S SAFETY IS YOUR RESPONSIBILITY

### Safety notes:

Warning: Do not leave your child unattended.

Be aware of the risk of open fire and other sources of strong heat, such as electric bar fires, gas fires etc. in the near vicinity of the unit.

Keep children clear during assembly as pack contains small parts which may present a choking hazard.

All assembly fixings should always be tightened properly. Care should be taken that no screws are loose because a child could trap parts of their body, or clothing (e.g. strings, necklaces, ribbons, dummies, etc) which could pose a risk of strangulation.

Suitable for use with a flat changing mat 75 x 45 cm maximum.

This product should only be used with babies up to 15kg in weight.

Do not use the changing unit if any of the parts are broken, torn or missing.

Any additional or replacement parts can only be obtained from the manufacturer or the distributor.

Customer care hotline for this product 01692 408802

kiddicare.com  
Club Way  
Cygnet Park  
Hampton  
Peterborough  
Cambs  
PE7 8JA  
www.kiddicare.info