

# Walk'n'Rock INSTRUCTIONS



## **SAFETY WARNINGS**

**WARNING!** Never leave the child unattended.

**WARNING!** The child will be able to reach further and move faster than before when in the baby walking frame.

**WARNING!** Prevent access to stairs, steps and uneven surfaces.

**WARNING!** Guard all fires, heating and cooking appliances.

**WARNING!** Remove hot liquids, electrical flexes and other potential hazards from each.

**WARNING!** Prevent collision with glass in doors, windows and furniture.

**WARNING!** Do not use the baby walking frame if any components are broken or missing.

**WARNING!** This baby walking frame should be used only for short periods of time (e.g. 20 mins).

**WARNING!** This baby walking frame is intended to be used by children who can sit unaided. Approximately: 6 months. It is not intended for children weighing more than 12 kg.

**WARNING!** Do not use replacement parts other than those approved by the manufacturer or distributor.

## **ROUTINE MAINTENANCE**

- Periodically check for any loose or damaged parts and discontinue use should the baby walking frame become damaged or broken.
- Always check the castors are free running and remove any debris.
- Wipe clean the frame with a damp cloth and dry with a soft cloth. Do not use abrasives as this will scratch the frame.
- To clean the seat unit, sponge clean with a mild detergent and allow to dry.
- All replacement parts are available from customer services (subject to charges).
- If you have any questions about your baby walker or are experiencing any difficulties, please contact us: Kiddicare.com, Club Way, Cygnet Park, Hampton, Peterborough, Cambs, PE7 8JA Tel: 01733 201873

## **BATTERY GUIDELINES**

Always take care to fit your batteries correctly, observing the plus and minus marks on the battery and appliance.

Do not mix new and used batteries. Do not mix different types of batteries.

Always remove dead batteries and all batteries if you are not going to use the product for long periods as batteries may leak and cause damage.

Exhausted batteries should be removed from the product and disposed of in accordance with the makers recommendations.

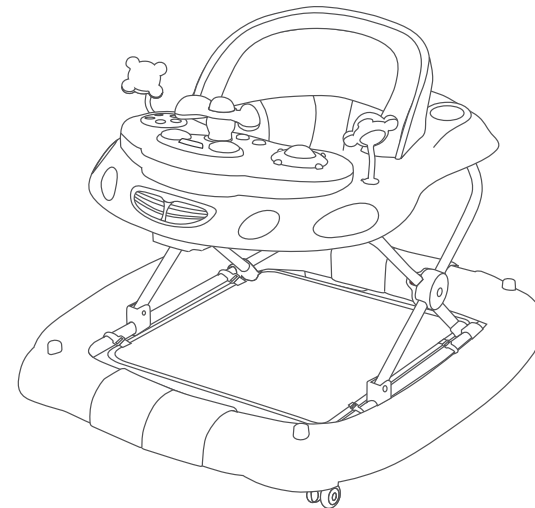
Place batteries only marked alkaline in normal household waste.

Batteries should always be changed by an adult. Children can choke on batteries. If swallowed seek medical advice.

Keep batteries out of reach of children.

Never dispose of batteries in a fire this may cause them to explode.

Never attempt to re-charge ordinary batteries



## **IMPORTANT! Keep for future reference**

This product is tested to BSEN1273:2005 Suitable for children who can sit unaided (approx. 6 months) to max weight of 12kg

**WARNING!** It may be dangerous to leave your child unattended

**Instructions:** follow these instructions  
Please read carefully and keep for future



# Walk'n'Rock

## OPERATING AND ASSEMBLY INSTRUCTIONS FOR YOUR BABY WALKER AND ROCKER

### Parts check list

1. Main body. Fig.1
2. Seat unit. Fig. 2
3. Musical play board.
4. Footrest pad.
5. Front wheels x 2
6. Wheel pusher.
7. Rear wheels x 2
8. Flexi toys\* x 2
9. Stop function blocks x 8

\*toy selection may vary



Fig. 1

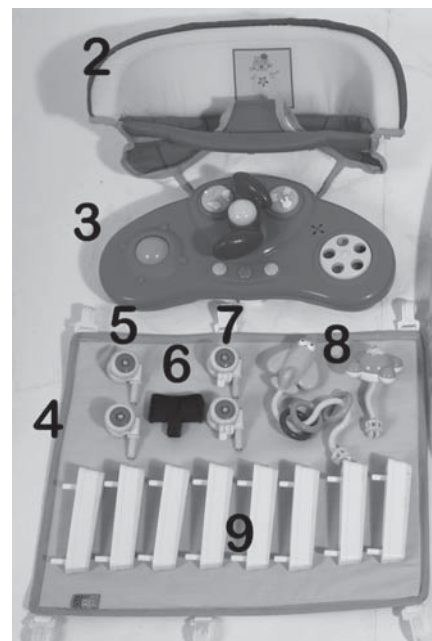


Fig. 2

### FITTING STOP FUNCTION BLOCKS

1. The blocks should be fitted with the narrow end of each block pointing towards each wheel insert hole. Fig. 3

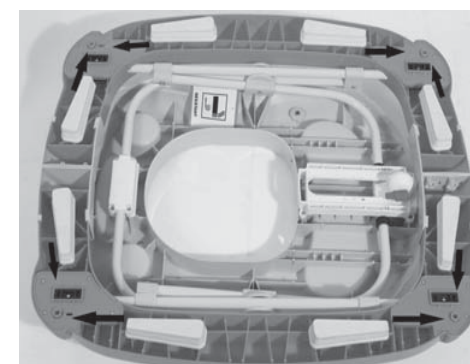


Fig. 3

2. Place the stop function block over the holes and tap into position. Fig. 4

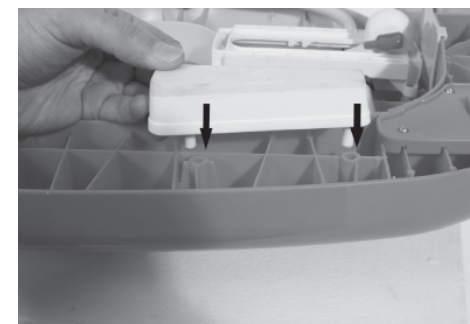


Fig. 4

### IDENTIFY AND FIT WHEELS

1. The rear wheels differ from the front. rear wheels are designed not to swivel and have a raised plastic block which will slot into the main body of the walker. Fig. 5

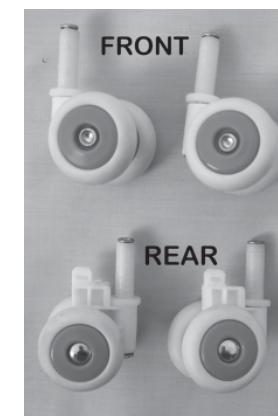


Fig. 5

2. Put the main body of walker on a stable even surface. Place the rear wheel into the hole inserts, taking care to line up plastic block on wheel with the square hole insert. Fig. 6

3. Using the wheel pusher provided, place onto the wheel and push firmly home. Fig. 7 If you any difficulty in fully driving home the wheels, use a light hammer and gently tap onto the wheel pusher. But not directly onto the wheel as this will cause damage.

#### TO OPEN WALKER

1. Lift both sides of the top section of the main body to the highest position. Fig.8

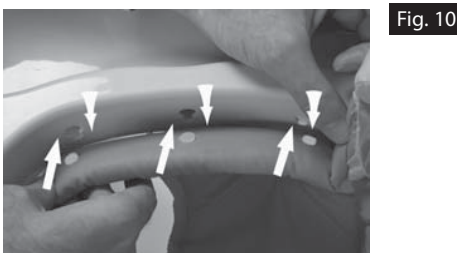
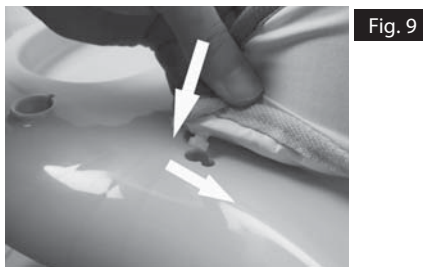
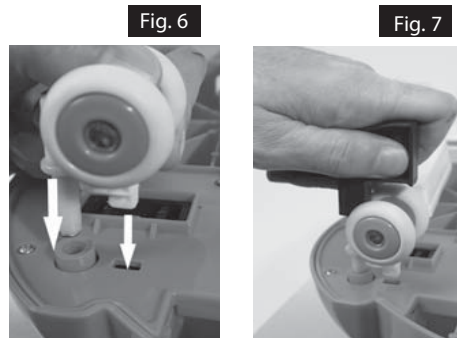
#### FITTING THE SEAT UNIT

##### ARM REST

1. Push pins on cushioned arm rests through the hole in flat plastic seated inside the armrest.  
2. Secure pin into large end of keyhole. Then push shaft of pin into smaller keyhole area until it clicks into place on the top section of walker. Fig.10

##### FRONT PANEL

2. Secure front of seat unit to top section by pushing the three pins into the large keyhole area and push shaft pins down. Fig. 10



#### BACK OF SEAT

3. Insert the pins at the back of seat into keyholes of top section. Push the shaft pins down till click into place. Fig. 11  
4. Always check your seat unit is secured prior to placing your child in.

#### FLEXI TOY ATTACHMENT

1. Slot the flexi toy\* into the holes provided located on front top section of main body. Fig. 12.

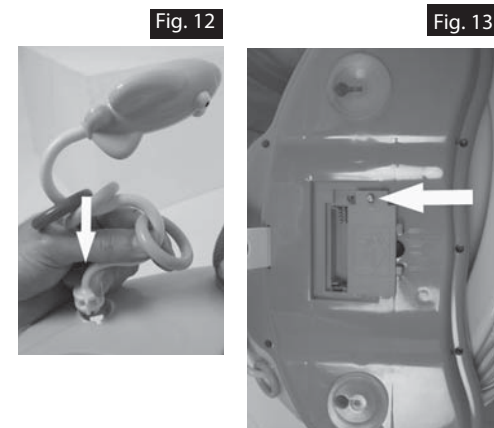
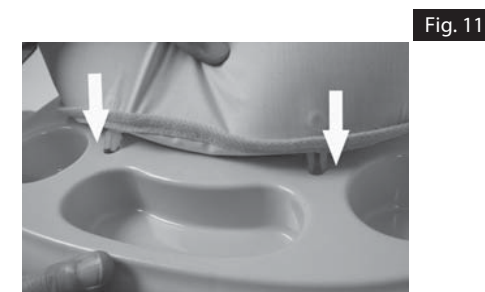
\*Toy shown for illustration only. Actual toy selection may vary.

#### MUSICAL PLAYBOARD FITTING

1. To insert the battery, unscrew the lid on the playboard feature Fig.13 and insert 2 x AA type (1.5 V) Alkaline battery (not supplied) then re-screw the compartment. Warning! Ensure the battery is placed correctly on the same direction (- , +) as shown in the compartment.

2. The musical playboard has a holding strap which can be used to hang from your child's cot. Fig. 14

3. Place your playboard onto the top section of main body using the suckers provided. Fig. 15



### FITTING THE FOOTREST PAD

1. Place pad inside the lower frame and hook clips onto side bars. Fig. 16



Fig. 16

### TO ADJUST HEIGHT

1. To adjust walker to desired height (multiple positions available) Located on underside of the top frame pull the adjuster button (1.) forward Fig. 17 and adjust the top section to required height.

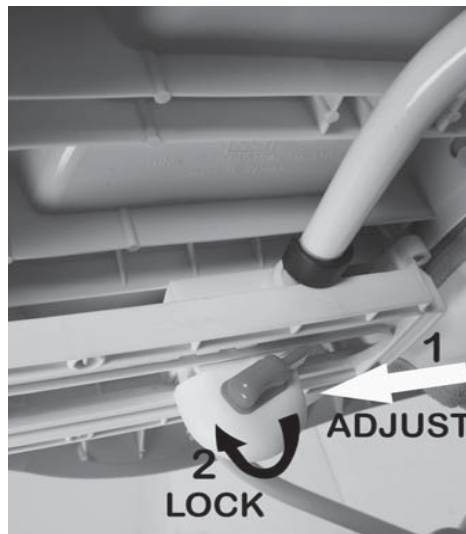


Fig. 17

2. Turn the safety lock (2.) fully to ensure adjuster is locked in position. Fig. 17
- WARNING: Do not adjust height when child is in walker.  
Always make sure the adjuster and safety lock are engaged in one position before placing child in walker.

Fig. 18

### SWITCH FROM WALKER TO ROCKER MODE

1. Place both hands onto the slide blocks located on the lower base section, follow the directions indicated sliding the blocks in opposite directions. Fig. 18



2. Separate both blocks and repeat procedure on opposite side. Fig. 19

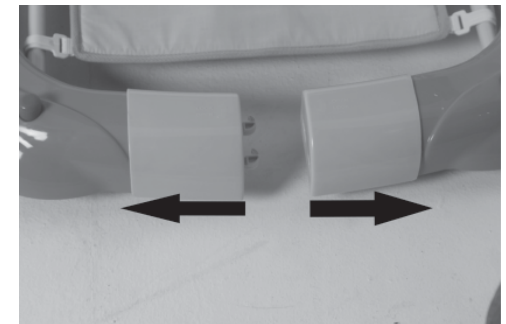


Fig. 19

3. Simultaneously press both buttons located at each end of lower frame and turn upward 90 degrees until it clicks in place. Fig. 20
4. Repeat procedure on opposite side.
5. To switch back to walker mode reverse the procedure.

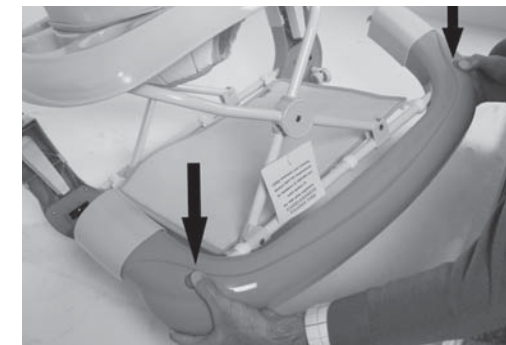


Fig. 20

